



Incident Light Stereo-Microscope SOM82/SLM1/SLM2

for Micro-Surgery, Medical Technology and Industry



The Ideal Instruments for
Medicine and Technology



Incident Light Stereo-Microscope SOM 82

When details are decisive



Incident Light Stereo-Microscope SOM 82

Kaps Stereo-Microscopes combine excellent illumination with brilliant apochromatic optics, plus easy and exact positioning – all in a modular system that can easily accommodate additional accessories at any time. The ergonomic design of these microscopes gives precise, fatigue-free operation, with brilliant three-dimensional images at a large depth of focus.

The main applications for both instrument models can be found in areas where detail is of the utmost importance – for example in Dental Technology, Micro Surgery Training, Veterinary Medicine, Restoration Work, or indeed as a mobile instrument in Ophthalmology.

The SOM 82 microscope features a table stand, which allows easy adaptation to any room configuration. It can be assembled quickly and therefore put into use with the minimum of delay. All SOM microscopes can be equipped with a second observer attachment, 35mm or digital camera, video system or endoscopy

camera. A laser system can also be easily added. The microscopes can be supplied with floor, wall or ceiling mounting systems if required.

The **Kaps SOM 82** is designed to be clamped directly onto a table and is, therefore, also suitable for use in a mobile unit. The microscope can also be screwed directly to a table if required.

The step-less, adjustable positioning arm facilitates working over a large area. The microscope is brought into the correct position with one hand, allowing the user to maintain a comfortable and relaxed working posture.

The combination of three or five steps of magnification, manual zoom, plus adjustable binocular tubes and oculars guarantees the perfect solution for any application.

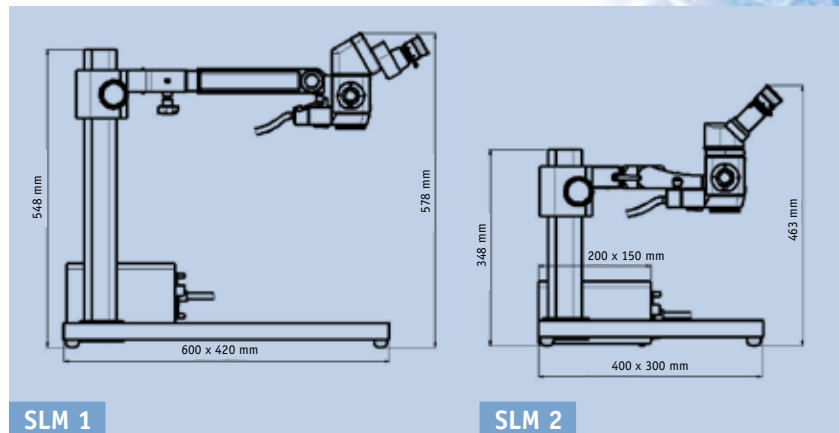
Stereo Laboratory Microscope SLM 1/SLM 2

The **Kaps SLM 1** has a base plate measuring 420 x 600mm (other dimensions are available on request). This allows a constant working position to be maintained. The microscope can also accommodate a range of observation attachments.

- Coarse height adjustment is achieved by using the clamp on the column. The fine-focus drive is then used to tune the focus.

- Illumination is provided through a 12V/100W cold light system that includes a light source and fibre optic cable. Light intensity can be continuously adjusted via a simple control.
- The microscope head and illumination system are identical to those used on the SOM 82 model.
- The SLM microscopes can accommodate some, but not all, accessories. Please contact us for details.

SLM 1 Basic Outfit <i>Contact us for other options</i>
Column stand, stainless, height 548 mm
Base plate, scratch-free, coated
Microscope holder with adjustment ring
Fibre-optics illumination (cold-light light source 12 V/100 W, optional 15 V/150 W)
Manual magnification changer, 3-step
Manual fine focusing
Binocular 60° f = 159 mm
Pair of oculars WF 10xV
Objective f = 200 mm
UV-filter



Stereo Laboratory Microscope SLM 1



Stereo Laboratory Microscope SLM 2

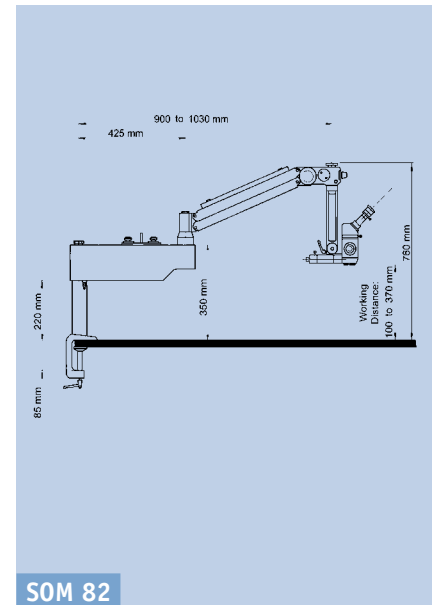


The **Kaps SLM 2** differs in the following components from above mentioned table microscope SLM 1 – all other components are identical:

- Base plate 300 x 400 m
- The fine focusing can be carried out by the column guide - height: 348 mm

Technical Details

Illumination	Coaxial halogen illumination 12 V/100 W (direct), coaxial cold light illumination 12 V/100 W (on request 15 V/150 W)
Working Distance/ Objectives	f = 100 mm, f = 150 mm, f = 175 mm, f = 200 mm, f = 250 mm, f = 300 mm, f = 350 mm, f = 400 mm
Fine-Focusing	12 mm with focusing-objective f = 250 mm and f = 300 mm, 40 mm manual, 40 mm motorized
Binocular Tube	Straight tube f = 125 mm, inclined tube f = 125 mm, 45° as standard. On request also straight tube f = 159 mm, inclined tube f = 159 mm, 45° or wide-angle tiltable tube f = 182 mm 0-210°
Oculars, Pairs	6.3 x V, 10 x V, 12.5 x V, 16 x V, 20 x V
Magnification	3-step magnification changer, 5-step magnification changer, zoom 1-6 manual or motorized (apochromatic)



Accessories

Integrated Sony Video Camera (Vision)	1/4" CCD colour video camera, Y/C (S-VHS), FBAS (composite), 725 (H) x 582 (V) PAL
Photo/Video Documentation	Beamsplitter one-sided or both-sided, TV-tube for connection to C-mount, colour-video camera, C-mount digital camera adaptor to connect a digital photo camera, photo-tube to connect a 35 mm SLR camera with T2 adaptor
Second Observer	Second observer tube, monocular or binocular
Carrying case	available for SOM 82, on request

For more accessories please take a look at our Kaps online-shop.



founded 1946

Karl Kaps GmbH & Co.KG • P.O. Box 12 25 • 35608 Asslar/Wetzlar
 Fon (+49) 64 41 8 07 04-0 • Fax (+49) 64 41 8 59 85
 www.kaps-optik.de • e-mail: info@kaps-optik.de